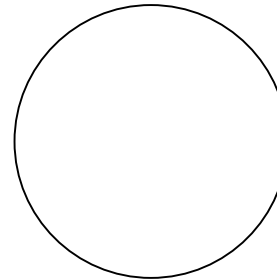
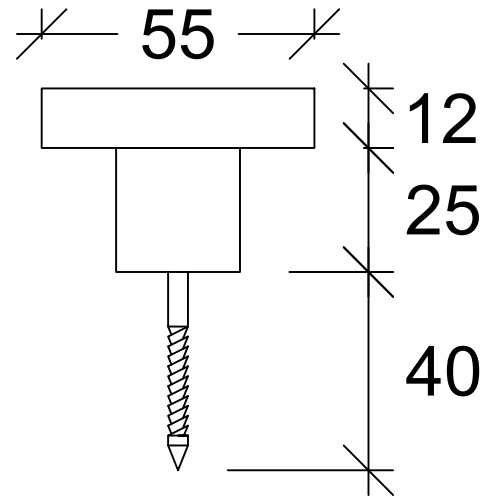


I.V. Isometric View



P.V. Plan View



E.V. Elevated View

Triq il-Gibjun
 San Gwann, Malta
 SGN2403
 www.shaker.com.mt
 e-mail: sales@shaker.com.mt
 tel: (+356) 21387686, 21663087
 fax: 21387686, 21663087

NOTES:

1. This drawing is property of Shaker Ltd.
2. No reproduction in whole or in part is allowed except for prior consent by Shaker Ltd.
3. Drawing units are in millimeters unless otherwise stated.

Client Address:

--

Client email:

--

Client number:

--

Order No:

--

SPECIFICATIONS:

DuPont Corian -

--

CLIENT:

Shaker LTD

PROJECT TITLE:

Le Bouton

DRAWING TITLE:

Custom Works corian

DRAWING NUMBER:

01 of 01

SCALE:

1:1 @ A3

REVISION:

--

DRAWN:

M.J.P

CHECKED:

--

DATE:

24 - 11 - 2023